

TEKNIC

Rocker Switches



TEKNIC Illuminated and Non-Illuminated Switches are compact and aesthetically elegant, and are suitable for snap mounting in the most common and standard panel cutouts. They are designed for use in a wide variety of applications, in Home Appliances, Office Automation Equipment like Photo-Copiers , Stabilizers , UPS , Printers, Power Supply Units, and other Electrical, Electronic and Instrumentation Equipment.

APPROVALS

Our switches are certified by TUV SUD Germany , by Canadian Standards Association (CSA) with C & US mark and Underwriters Laboratories (UL) with UR,C & US mark which is recognised for sales in North American countries, and all over the world.

GENERAL

1. ELECTRICAL CHARACTERISTICS

Our switches are suitable for switching of resistive, inductive & capacitive loads to the extent of current and voltage ratings of our individual switches, as indicated against them.

2. AMBIENT TEMPERATURE

Our switches are suitable for operation in an ambient Temperature upto 85°C, i.e, T85

3. MATERIALS OF CONSTRUCTION

Housing : Nylon 66 (Un-filled)
 Flammability: UL 94, V-2
 Rocker Button : Nylon 66 / Polycarbonate
 Flammability: UL 94, V-2
 Terminals : Copper / Copper Alloy
 Contacts : Silver / Silver Alloy

4. REFERENCE STANDARDS

EN :61058-1, CSA-C22.2 No.55-M1986 & UL - 1054

| 5. TECHNICAL SPECIFICATION | | | |
|--|---|---|-----------------------------------|
| INSULATION RESISTANCE (New State) at 500V DC for 1minute | > 100 megohms. Ref : EN 61058-1 | | |
| CONTACT RESISTANCE (New State) | < 10 milliohms | | |
| DIELECTRICAL STRENGTH (New State) | Across reinforced insulation Across full disconnection Across micro disconnection | 3000V 1500V 500V | Ref : EN 61058-1 |
| CONTACT GAP | ≥ 1.5 mm min. Full-Disconnect OR Micro-Disconnect (μ) as individually specified. Ref : EN 61058-1 | | |
| TERMINAL STRENGTH Push and pull forces for terminals in Newtons (N) (Ref : EN 61058-1) | Terminal size | Push - N | Pull - N |
| | 4.8 x 0.8 mm. 6.3 x 0.8 mm. | 80 96 | 98 88 |
| FIXING | Snap - in Mounting | | |
| ELECTRICAL ENDURANCE | 10,000 CYCLES min. 6,000 CYCLES min. | Ref.: EN :61058-1 (CSA- C22.2 No.55) | |
| DEGREE OF PROTECTION | IP 30/40 | | Ref.: EN :61058-1 |
| PROTECTION AGAINST ELECTRIC SHOCK | CLASS II APPLIANCE Ref.: EN :61058-1 | | |
| HEAT & FIRE RESISTANCE | Glow wire test temperature 850° C Ref.:EN :61058-1 | | |
| DEGREE OF POLLUTION | 2 (NORMAL) | | Ref.:EN :61058-1 |
| PROOF OF TRACKING INDEX | PTI 175-250V (material group IIIa) Ref.: EN :61058-1 | | |
| TEMPERATURE RISE AT THE TERMINALS (ACCORDING TO ELECTRICAL LIFE ENDURANCE) | max. 30° c | | (CSA- C22.2 No.55) (UL- 1054) |
| | max. 55° c | | (EN :61058-1) |
| RoHS COMPLIANT | YES | | |

6. APPEARANCE

7. OPERATING FUNCTIONS

() INDICATES MOMENTARY ACTION

| TYPE | CIRCUIT FUNCTION | CODE | FUNCTIONS |
|----------------------------------|------------------|------|---|
| N - NON ILLUMINATED | ON OFF | F1 | SINGLE THROW |
| | (ON) OFF | F2 | SINGLE THROW-SPRING RETURN ON 'ON' POSITION. |
| L - ILLUMINATED | ON (OFF) | F3 | SINGLE THROW-SPRING RETURN ON 'OFF' POSITION. |
| | ON ON | F4 | DOUBLE THROW. |
| NL - CENTRAL ILLUMINATION | (ON) ON | F5 | DOUBLE THROW- SPRING RETURN IN ONE POSITION. |
| | ON OFF ON | F6 | DOUBLE THROW- CENTER OFF |
| NT - NON ILLUMINATED TRANSPARENT | (ON) OFF ON | F7 | DOUBLE THROW- CENTER OFF WITH SPRING RETURN IN ONE POSITION |
| | (ON) OFF (ON) | F8 | DOUBLE THROW- CENTER OFF WITH SPRING RETURN ON BOTH POSITIONS |

8. TERMINALS **

9. HOUSING COLOURS

10. BUTTON COLOURS

12. DUST COVER

| TERMINAL TYPE | CODE |
|-----------------|------|
| 4.8 x 0.8 mm. | A |
| 6.3 x 0.8 mm. | B |
| SOLDERABLE TYPE | C |
| PCB TYPE | D |
| SCREW TYPE | S |

| HOUSING COLOUR | CODE |
|------------------------------|------|
| BLACK (WITH POLE BARRIER) | BK |
| BLACK (WITHOUT POLE BARRIER) | BP |
| WHITE (WITH POLE BARRIER) | WH |
| WHITE (WITHOUT POLE BARRIER) | WP |
| GREY (WITH POLE BARRIER) | GY |
| GREY (WITHOUT POLE BARRIER) | GP |

| BUTTON COLOUR | CODE |
|---------------|------|
| BLACK | BK |
| WHITE | WH |
| GREY | GY |
| GREEN | GR |
| RED | RD |
| AMBER | AM |

(Optional)
 Available only for
 WS00,WS02,WS03,WS06,
 WS08,WS09,WS10,WS11,
 WS12,WS13

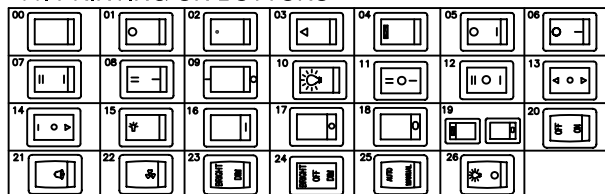
** Note : connections to our switches with terminal designs A & B, should be made only with lugs, and not by soldering.

Soldering conditions for hand soldering : For terminal design C we recommend the following

Soldering device : electronically controlled soldering station
 Solder : flux - filled solder wire
 Solder temperature : 350°c ± 10°c
 Soldering time : 2 to 3 secs.

During Soldering no force shall be applied to the terminals otherwise switch properties could be changed.
 When using flux, make sure that no flux gets inside the switch via terminals.
 Longer soldering time and repeated soldering to be avoided to make sure that mechanical properties of the solder point & adjacent area are not disturbed.

11. PRINTING ON BUTTONS



ORDERING EXAMPLE :

WS 02 N F1 A WH BK 00

BASIC TYPE
 APPEARANCE
 CIRCUIT FUNCTION
 TERMINAL TYPE
 ROCKER BUTTON PRINTING
 ROCKER BUTTON COLOUR
 HOUSING COLOUR

ROCKER SWITCH TYPE WS 02, NON ILLUMINATED, ON - OFF, TERMINAL 4.8, WHITE HOUSING (WITH POLE BARRIER), BLACK ROCKER BUTTON, WITH NIL PRINTING ON ROCKER BUTTON.

NOTE : 1) FOR SWITCH 2WS13 REPEAT THE ORDERING CODES FOR BOTH RIGHT & LEFT SIDE
 EXAMPLE : 2WS13 L F1 B BK AM 00 / 2WS13 N F1 B BK BK 00
 2) FOR DUST COVER CODE S13 TO BE ADDED AFTER CODE FOR PRINTING.
 EXAMPLE : WS02 N F1 A WH BK 00 S13

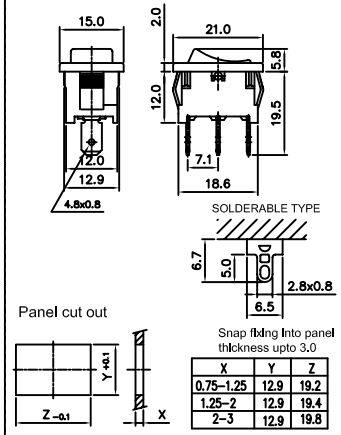




WS 00 UL/CSA RATING : 6A, 125/250V ~, 6A 24V DC
IEC RATING : 6(2)A, 250V ~
CAPACITIVE CURRENT RATING : 6/45A, 250V AC (Inrush 45A to EN 61058-1 applies to F1 & F4 functions only)

WS 10 IEC RATING : 10(4)A, 250V ~
CAPACITIVE CURRENT RATING : 10/70A, 250V AC (Inrush 70A to EN 61058-1 applies to F1 & F4 functions only)

POLES : SINGLE



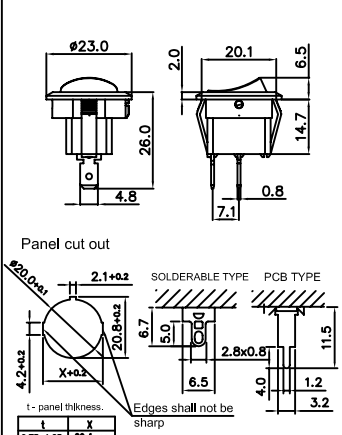
TYPE : NON-ILLUMINATED ONLY.
FUNCTIONS : F1,F2,F3,F4
TERMINALS : A, C
APPROVALS : WS00 : WS10 :



WS 00R UL/CSA RATING : 6A, 125/250V ~, 6A 24V DC
IEC RATING : 6(2)A, 250V ~
CAPACITIVE CURRENT RATING : 6/45A, 250V AC (Inrush 45A to EN 61058-1 applies to F1 & F4 functions only)

WS 10R IEC RATING : 10(4)A, 250V ~
CAPACITIVE CURRENT RATING : 10/70A, 250V AC (Inrush 70A to EN 61058-1 applies to F1 & F4 functions only)

POLES : SINGLE

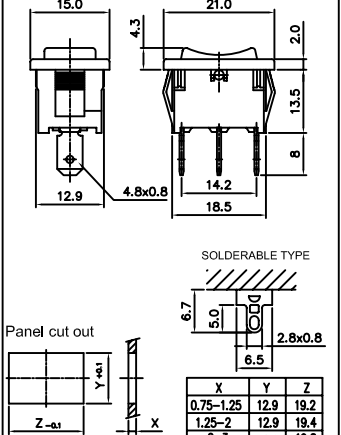


TYPE : NON-ILLUMINATED ONLY.
FUNCTIONS : F1,F2,F3,F4
TERMINALS : A, C, D
APPROVALS : WS00R : WS10R :



WS 09 CSA RATING : 6A, 125/250V ~
IEC RATING : 6(2)A, 250V ~

POLES : SINGLE



TYPE : NON-ILLUMINATED ONLY.
FUNCTIONS : F6
TERMINALS : A, C
APPROVALS :

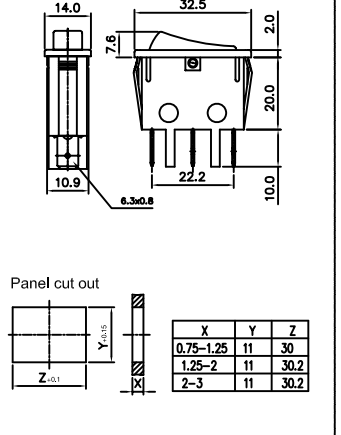


WS 03/ UL/CSA RATING : 6A, 125/250V ~, 6A 24V DC
IEC RATING : 6(3)A, 250V ~

WS 13/ UL/CSA RATING : 16A, 125/250V ~ 16A 24V DC
IEC RATING : 6(4)A, 250V ~

CAPACITIVE LOAD RATING : 16/150A 250V~ (Inrush 150A to EN 61058-1 applies to F1 only)

POLES : SINGLE

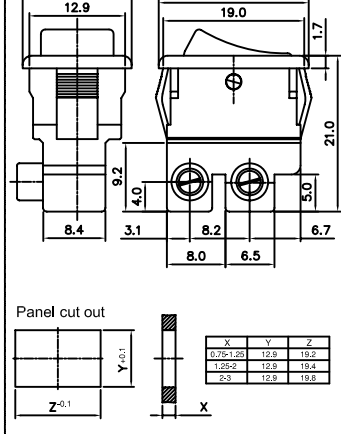


FUNCTIONS : F1,F2,F3
TERMINALS : B
APPROVALS :



WS 14 RATING : 10(4)A, 250V ~

POLES : SINGLE



TYPE : NON-ILLUMINATED ONLY.
FUNCTIONS : F1
TERMINALS : M3 Screw Terminal
APPROVALS :

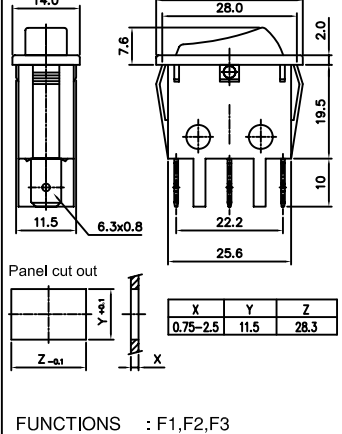


WS 39 UL/CSA RATING : 6A, 125/250V ~ 6A 24V DC
IEC RATING : 6(3)A, 250V ~

WS 49 UL/CSA RATING : 16A, 125/250V ~ 16A 24V DC
IEC RATING : 16(4)A, 250V ~

CAPACITIVE LOAD RATING : 16/150A 250V~ (Inrush 150A to EN 61058-1 applies to F1 only)

POLES : SINGLE

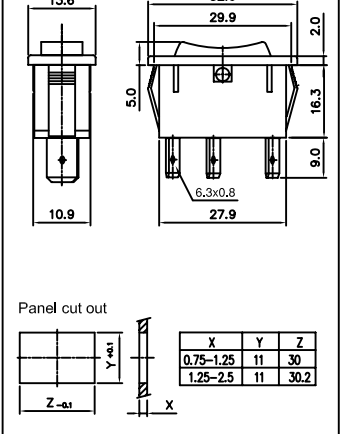


FUNCTIONS : F1,F2,F3
TERMINALS : B
APPROVALS :



WS 17 RATING : 6(2)A, 250V ~

POLES : SINGLE

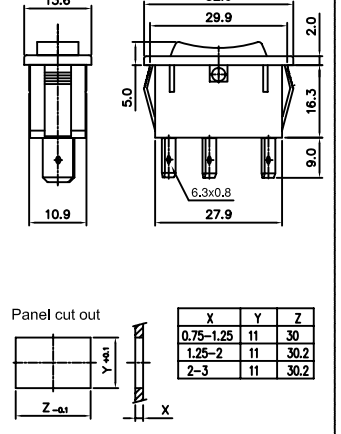


TYPE : NON-ILLUMINATED ONLY.
FUNCTIONS : F1,F4,F6,F7,F8
TERMINALS : B
APPROVALS :



WS 27 UL/CSA RATING : 16A, 125/250V ~ 16A, 24V DC

POLES : SINGLE



TYPE : NON-ILLUMINATED ONLY.
FUNCTIONS : F1,F4,F6,F7,F8
TERMINALS : B
APPROVALS :



WS 02
 UL/CSA RATING : 6A, 125/250V ~ 6A 24V DC
 IEC RATING : 6(2)A, 250V ~
 CAPACITIVE CURRENT RATING : 6/45A, 250V AC (Inrush 45A to EN 61058-1 applies to F1 & F4 functions only)

POLES : DOUBLE

SOLDERABLE TYPE

Panel cut out

| X | Y | Z |
|-----------|------|------|
| 0.75-1.25 | 21.9 | 19.2 |
| 1.25-2 | 21.9 | 19.4 |
| 2-3 | 21.9 | 19.8 |

TYPE : NON-ILLUMINATED ONLY.
 FUNCTIONS : F1,F2,F3,F4
 TERMINALS : A, C
 APPROVALS :



WS 08
 (μ Gap)
 CSA RATING : 6A, 125/250V ~
 IEC RATING : 6(2)A, 250V ~

POLES : DOUBLE

SOLDERABLE TYPE

Panel cut out

| X | Y | Z |
|-----------|------|------|
| 0.75-1.25 | 21.9 | 19.2 |
| 1.25-2 | 21.9 | 19.4 |
| 2-3 | 21.9 | 19.8 |

TYPE : NON-ILLUMINATED ONLY.
 FUNCTIONS : F6
 TERMINALS : A, C
 APPROVALS :



WS 08L
 IEC RATING : 6(2)A, 250V ~
 CAPACITIVE CURRENT RATING : 6/45A, 250V AC (Inrush 45A to EN 61058-1)

POLES : DOUBLE

Panel cut out

| X | Y | Z |
|-----------|------|------|
| 0.75-1.25 | 21.9 | 19.2 |
| 1.25-2 | 21.9 | 19.4 |
| 2-3 | 21.9 | 19.8 |

TYPE : ILLUMINATED ONLY.
 FUNCTIONS : F1
 TERMINALS : B
 APPROVALS :



WS 04
 UL RATING : 16A, 125/277V ~ 3/4 HP, 16A, 24V DC
 CSA RATING : 16A, 125/250V ~
 IEC RATING : 16(4)A, 250V ~
 CAPACITIVE RATING : 16/150A(Inrush Current) 250V ~ (Inrush 150A to EN 61058-1 applies to F1 only)

POLES : DOUBLE

Panel cut out

| X | Y | Z |
|-----------|----|------|
| 0.75-1.25 | 22 | 30 |
| 1.25-3 | 22 | 30.2 |

FUNCTIONS : F1
 TERMINALS : B
 APPROVALS :



WS 06
 UL RATING : 16A, 125/277V ~ 3/4 HP, 16A, 24V DC
 CSA RATING : 16A, 125/250V ~
 IEC RATING : 16(4)A, 250V ~
 CAPACITIVE RATING : 16/150A(Inrush Current) 250V ~ (Inrush 150A to EN 61058-1 applies to F1 only)

POLES : DOUBLE

Panel cut out

| X | Y | Z |
|-----------|----|------|
| 0.75-1.25 | 22 | 30 |
| 1.25-3 | 22 | 30.2 |

FUNCTIONS : F1
 TERMINALS : B
 APPROVALS :



WS 01
 CSA RATING : 4A, 125/250V ~
 IEC RATING : 6(2)A, 250V ~
 CAPACITIVE CURRENT RATING : 6/45A, 250V AC (Inrush 45A to EN 61058-1)

POLES : DOUBLE

Panel cut out

| X | Y | Z |
|-----------|------|------|
| 0.75-1.25 | 12.9 | 19.2 |
| 1.25-2 | 12.9 | 19.4 |
| 2-3 | 12.9 | 19.8 |

FUNCTIONS : F1,F4
 TERMINALS : A
 APPROVALS :



WS 11
 IEC RATING : 8(2)A, 250V ~
 CAPACITIVE CURRENT RATING : 8 / 70A, 250V AC (Inrush 70A to EN 61058-1)

POLES : DOUBLE

Panel cut out

| X | Y | Z |
|-----------|------|------|
| 0.75-1.25 | 12.9 | 19.2 |
| 1.25-2 | 12.9 | 19.4 |
| 2-3 | 12.9 | 19.8 |

FUNCTIONS : F1
 TERMINALS : A
 APPROVALS :



WS 12
 IEC RATING : 10(4)A, 250V ~
 CAPACITIVE CURRENT RATING : 10/70A 250 ~ (Inrush 70A to EN 61058-1)

POLES : DOUBLE

Panel cut out

| X | Y | Z |
|-----------|------|------|
| 0.75-1.25 | 21.9 | 19.2 |
| 1.25-2 | 21.9 | 19.4 |
| 2-3 | 21.9 | 19.8 |

TYPE : NON-ILLUMINATED ONLY.
 FUNCTIONS : F1,F4
 TERMINALS : A
 APPROVALS :



WS 15
(μ Gap) RATING : 6(2)A, 250V AC

WS 25
(μ Gap) CSA, UL RATING : 16A, 250V ~, 16A 24V DC
IEC RATING : 16(4)A, 250V ~

WS 35
(μ Gap) CSA, UL RATING : 16A, 250V ~, 16A 24V DC
IEC RATING : 16(4)A, 250V ~

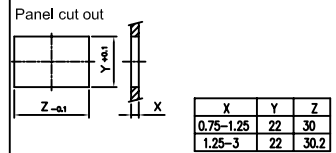
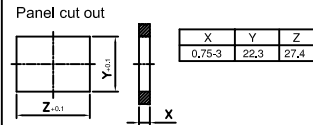
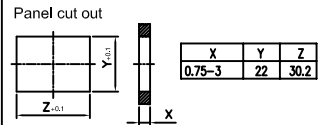
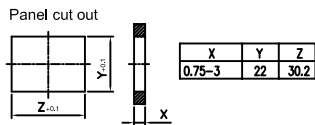
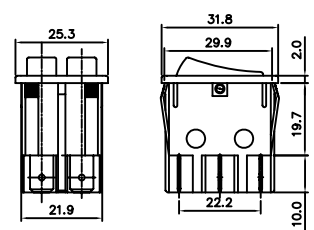
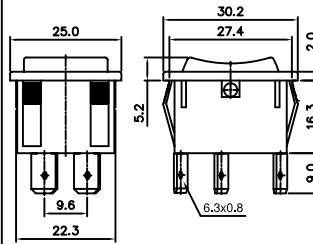
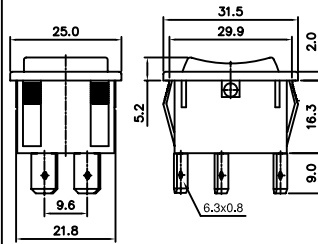
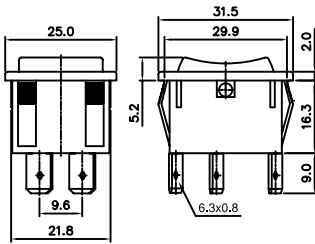
2WS 13
UL / CSA RATING : 16A, 125/250V ~, 16A 24V DC
IEC RATING : 16(4)A, 250V ~
RATING
CAPACITIVE RATING : 16/150A (Inrush Current) 250V ~
(In-HOUSE TESTING) (Inrush 150A to EN 61058-1 applies to F1 only)

POLES : DOUBLE

POLES : DOUBLE

POLES : DOUBLE

POLES : SINGLE



FUNCTIONS : F1, F4, F6, F7, F8
TERMINALS : B

FUNCTIONS : F1, F4, F6, F7, F8
TERMINALS : B

FUNCTIONS : F1, F4, F6, F7, F8
TERMINALS : B

FUNCTIONS : F1
TERMINALS : B
APPROVALS :

APPROVALS:

APPROVALS:

APPROVALS :

WE RESERVE THE RIGHT TO UPGRADE SPECIFICATIONS FOR IMPROVEMENTS WITHOUT ANY PRIOR NOTICE.

For further details, please write to:

TEKNIC ELECTROMECONICS PVT. LTD.

Regd. : 36, SNS Chambers, 239, Sankey Road, Bangaluru-560 080
Office Tel. 0091-80-23617867, 23619348. Fax. 0091-80-23618607,
E-mail : venkatesh@teknicelectromeconics.co.in

Website: www.teknincindia.com

Factory : 93, Electronic city Phase 1, 5th cross, Hosur Road, Bangaluru-560 100
Tel. 0091-80-28522716, 2820389, 28520714. Fax. 0091-80-28520254.
E-mail : tepl_wks@teknicelectromeconics.co.in & planning@teknicelectromeconics.co.in

Head : 703, Madhava, Bandra Kurla Complex, Bandra(East), Mumbai - 400 051.
Office Tel. 0091-22-42532500. Fax. 0091-22-26592391

Email : teknic@vsnl.com

Website: www.teknicelectromeconics.co.in

All dimensions are in mm

TEKNIC

ROCKER SWITCHES TWS... SERIES

TEKNIC Illuminated and Non-Illuminated Switches are compact and aesthetically elegant, and are suitable for snap mounting in the most common and standard panel cutouts. They are designed for use in a wide variety of applications, in Home Appliances, Office Automation Equipment like Photo-Copiers , Stabilizers , UPS , Printers, Power Supply Units, and other Electrical, Electronic and Instrumentation Equipment.

GENERAL

1. ELECTRICAL CHARACTERISTICS

Our switches are suitable for switching of resistive, inductive to the extent of current and voltage ratings of our individual switches, as indicated against them.

2. MATERIALS OF CONSTRUCTION

Housing : Nylon 66 (Un-filled)
 Rocker Button : Nylon 66 / Polycarbonate

Terminals : Copper / Copper Alloy
 Contacts : Silver / Silver Alloy

3. REFERENCE STANDARDS
 EN :61058-1

| 4. TECHNICAL SPECIFICATION | |
|---|----------------------------------|
| INSULATION RESISTANCE (New State) at 500V DC for 1minute | > 100 megohms. |
| DIELECTRICAL STRENGTH (New State) | 1500V AC FOR 1 MINUTE |
| AMBIENT TEMPERATURE | T85 |
| FIXING | Snap - in Mounting |
| ELECTRICAL ENDURANCE | 10,000 CYCLES |
| HEAT & FIRE RESISTANCE | LEVEL 3 Glow wire test at 850° C |
| PROOF OF TRACKING INDEX | PTI 175V min. |
| RoHS COMPLIANT | YES |

5. APPEARANCE

6. OPERATING FUNCTIONS

() INDICATES MOMENTARY ACTION

| TYPE | CIRCUIT FUNCTION | CODE | FUNCTIONS |
|----------------------------------|------------------|------|---|
| N - NON ILLUMINATED | ON OFF | F1 | SINGLE THROW |
| | (ON) OFF | F2 | SINGLE THROW-SPRING RETURN ON 'ON' POSITION. |
| L - ILLUMINATED | ON (OFF) | F3 | SINGLE THROW-SPRING RETURN ON 'OFF' POSITION. |
| | ON ON | F4 | DOUBLE THROW. |
| NL - CENTRAL ILLUMINATION | (ON) ON | F5 | DOUBLE THROW- SPRING RETURN IN ONE POSITION. |
| | ON OFF ON | F6 | DOUBLE THROW- CENTER OFF |
| NT - NON ILLUMINATED TRANSPARENT | (ON) OFF ON | F7 | DOUBLE THROW- CENTER OFF WITH SPRING RETURN IN ONE POSITION |
| | (ON) OFF (ON) | F8 | DOUBLE THROW- CENTER OFF WITH SPRING RETURN ON BOTH POSITIONS |

7. TERMINALS **

8. HOUSING COLOURS

9. BUTTON COLOURS

11. DUST COVER

| TERMINAL TYPE | CODE |
|-----------------|------|
| 4.8 x 0.8 mm. | A |
| 6.3 x 0.8 mm. | B |
| SOLDERABLE TYPE | C |
| PCB TYPE | D |
| SCREW TYPE | S |

| HOUSING COLOUR | CODE |
|------------------------------|------|
| BLACK (WITH POLE BARRIER) | BK |
| BLACK (WITHOUT POLE BARRIER) | BP |
| WHITE (WITH POLE BARRIER) | WH |
| WHITE (WITHOUT POLE BARRIER) | WP |
| GREY (WITH POLE BARRIER) | GY |
| GREY (WITHOUT POLE BARRIER) | GP |

| BUTTON COLOUR | CODE |
|---------------|------|
| BLACK | BK |
| WHITE | WH |
| GREY | GY |
| GREEN | GR |
| RED | RD |
| AMBER | AM |

(Optional)
 Available only for
 TWS00,TWS02,TWS03,TWS06,
 TWS08,TWS09,TWS10,TWS11,
 TWS12,TWS13

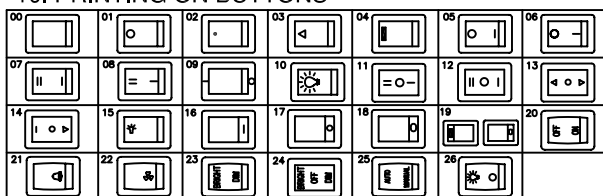
** Note : connections to our switches with terminal designs A & B, should be made only with lugs, and not by soldering.

Soldering conditions for hand soldering : For terminal design C we recommend the following

Soldering device : electronically controlled soldering station
 Solder : flux - filled solder wire
 Solder temperature : 350°c ± 10°c
 Soldering time : 2 to 3 secs.

During Soldering no force shall be applied to the terminals otherwise switch properties could be changed.
 When using flux, make sure that no flux gets inside the switch via terminals.
 Longer soldering time and repeated soldering to be avoided to make sure that mechanical properties of the solder point & adjacent area are not disturbed.

10. PRINTING ON BUTTONS



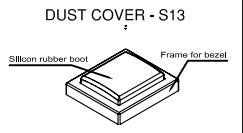
ORDERING EXAMPLE :

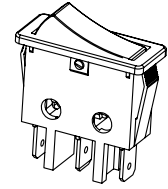
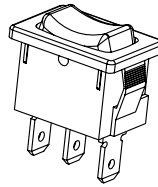
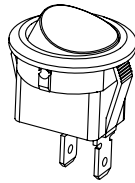
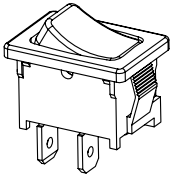
TWS 02 | N | F1 | A | WH | BK | 00

BASIC TYPE
 APPEARANCE
 CIRCUIT FUNCTION
 TERMINAL TYPE
 ROCKER BUTTON PRINTING
 ROCKER BUTTON COLOUR
 HOUSING COLOUR

ROCKER SWITCH TYPE TWS 02, NON ILLUMINATED, ON - OFF, TERMINAL 4.8, WHITE HOUSING (WITH POLE BARRIER), BLACK ROCKER BUTTON, WITH NIL PRINTING ON ROCKER BUTTON.

NOTE : 1) FOR SWITCH 2TWS13 REPEAT THE ORDERING CODES FOR BOTH RIGHT & LEFT SIDE
 EXAMPLE : 2TWS13 L F1 B BK AM 00 / 2TWS13 N F1 B BK BK 00
 2) FOR DUST COVER CODE S13 TO BE ADDED AFTER CODE FOR PRINTING.
 EXAMPLE : TWS02 N F1 A WH BK 00 S13



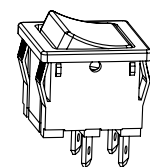
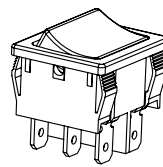
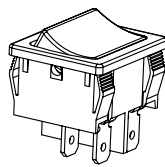
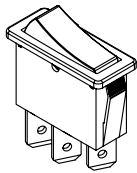
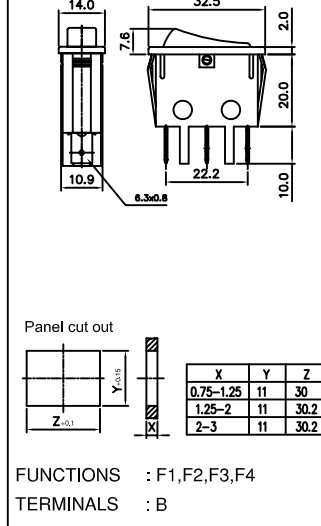
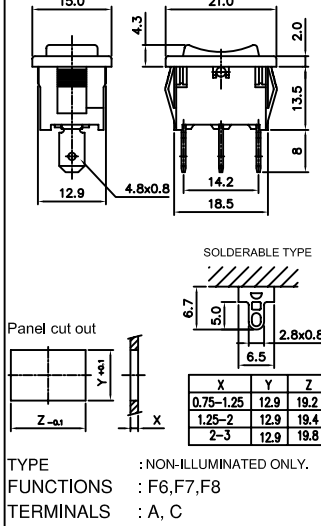
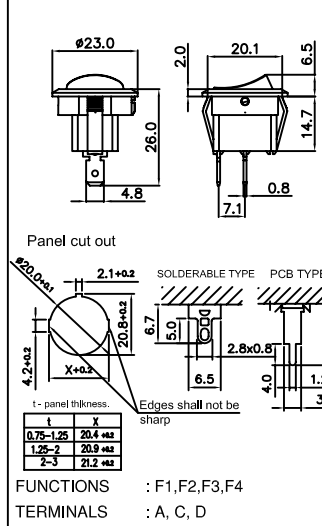
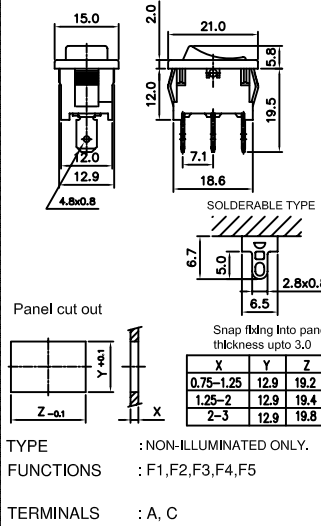


TWS 00 RATING : 6(2)A, 250V ~
TWS 10 RATING : 10(4)A, 250V ~
POLES : SINGLE

TWS 00R RATING : 6(2)A, 250V ~
TWS 10R RATING : 10(4)A, 250V ~
POLES : SINGLE

TWS 09 RATING : 6(2)A, 250V ~
POLES : SINGLE

TWS 03 RATING : 6(2)A, 250V ~
TWS 13 RATING : 16(4)A, 250V ~
POLES : SINGLE

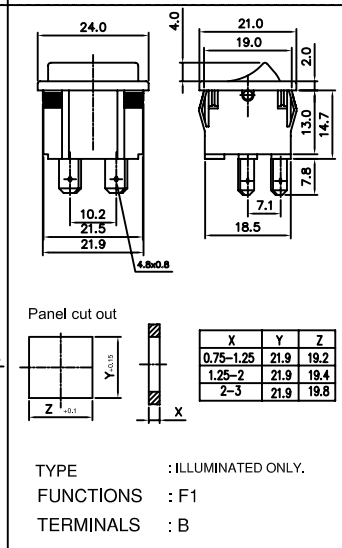
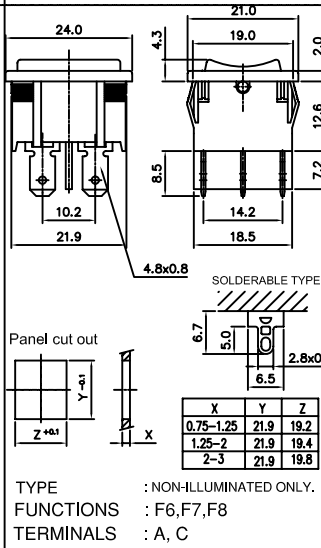
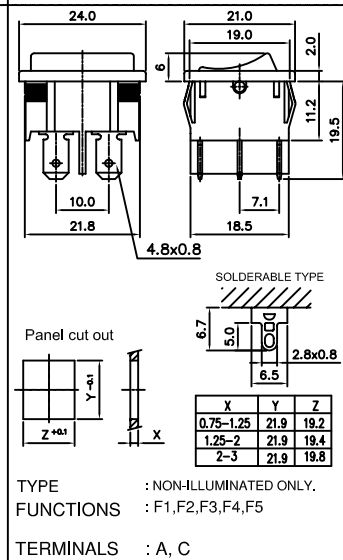
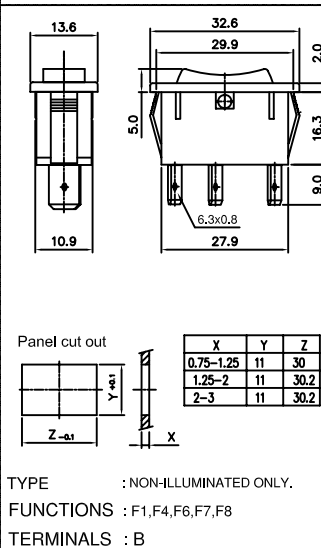


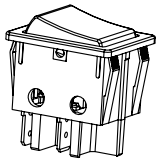
TWS 27 RATING : 16(2)A, 250V AC
POLES : SINGLE

TWS 02 RATING : 6(2)A, 250V ~
POLES : DOUBLE

TWS 08 RATING : 6(2)A, 250V ~
POLES : DOUBLE

TWS 08L RATING : 6(2)A, 250V ~
POLES : DOUBLE

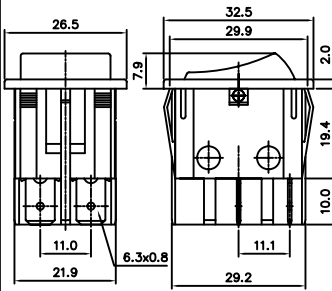




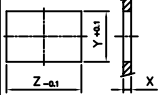
TWS 04

RATING : 16(4)A, 250V ~

POLES : DOUBLE

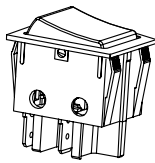


Panel cut out



| X | Y | Z |
|-----------|----|------|
| 0.75-1.25 | 22 | 30 |
| 1.25-3 | 22 | 30.2 |

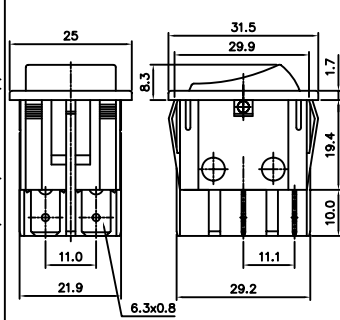
FUNCTIONS : F1
TERMINALS : B



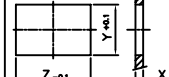
TWS 06

RATING : 16(4)A, 250V ~

POLES : DOUBLE

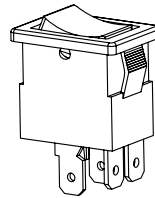


Panel cut out



| X | Y | Z |
|-----------|----|------|
| 0.75-1.25 | 22 | 30 |
| 1.25-3 | 22 | 30.2 |

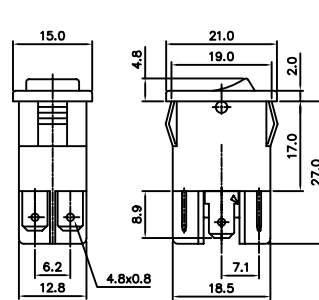
FUNCTIONS : F1
TERMINALS : B



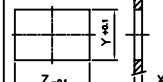
TWS 01

RATING : 6(2)A, 250V ~

POLES : DOUBLE

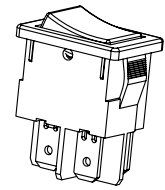


Panel cut out



| X | Y | Z |
|-----------|------|------|
| 0.75-1.25 | 12.9 | 19.2 |
| 1.25-2 | 12.9 | 19.4 |
| 2-3 | 12.9 | 19.8 |

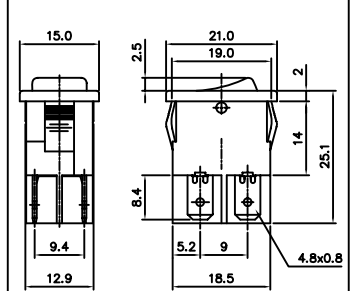
FUNCTIONS : F1,F4
TERMINALS : A



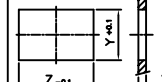
TWS 11

RATING : 8(2)A, 250V ~

POLES : DOUBLE

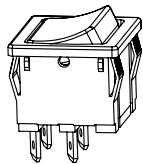


Panel cut out



| X | Y | Z |
|-----------|------|------|
| 0.75-1.25 | 12.9 | 19.2 |
| 1.25-2 | 12.9 | 19.4 |
| 2-3 | 12.9 | 19.8 |

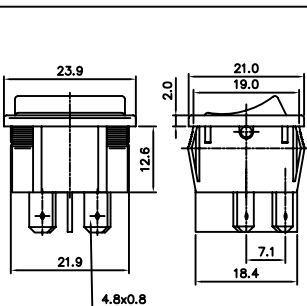
FUNCTIONS : F1
TERMINALS : A



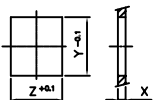
TWS 12

RATING : 10(4)A, 250V ~

POLES : DOUBLE



Panel cut out



| X | Y | Z |
|-----------|------|------|
| 0.75-1.25 | 21.9 | 19.2 |
| 1.25-2 | 21.9 | 19.4 |
| 2-3 | 21.9 | 19.8 |

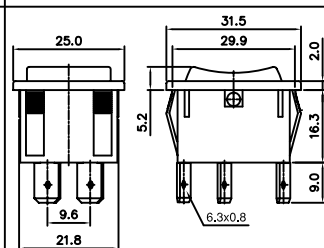
TYPE : NON-ILLUMINATED ONLY.
FUNCTIONS : F1,F4
TERMINALS : A



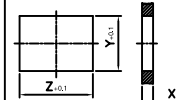
TWS 25

RATING : 16(2)A, 250V ~

POLES : DOUBLE



Panel cut out



| X | Y | Z |
|--------|----|------|
| 0.75-3 | 22 | 30.2 |

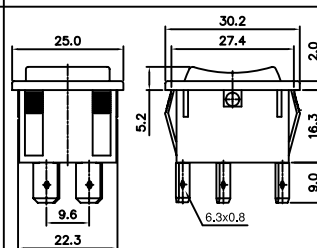
FUNCTIONS : F1,F4,F6,F7,F8
TERMINALS : B



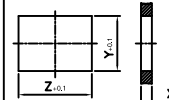
TWS 35

RATING : 16(2)A, 250V ~

POLES : DOUBLE

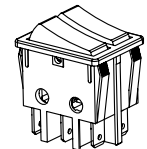


Panel cut out



| X | Y | Z |
|--------|------|------|
| 0.75-3 | 22.3 | 27.4 |

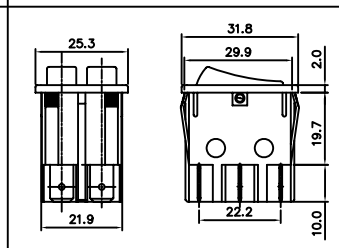
FUNCTIONS : F1,F4,F6,F7,F8
TERMINALS : B



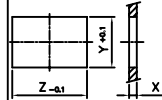
2TWS 13

RATING : 16(4)A, 250V ~

POLES : SINGLE



Panel cut out



| X | Y | Z |
|-----------|----|------|
| 0.75-1.25 | 22 | 30 |
| 1.25-3 | 22 | 30.2 |

FUNCTIONS : F1
TERMINALS : B

WE RESERVE THE RIGHT TO UPGRADE SPECIFICATIONS FOR IMPROVEMENTS WITHOUT ANY PRIOR NOTICE.

For further details, please write to:

TEKNIC ELECTROMECONICS PVT. LTD.

Regd. : 36, SNS Chambers, 239, Sankey Road, Bangaluru-560 080
Office Tel. 0091-80-23617867, 23619348. Fax. 0091-80-23618607,
E-mail : venkatesh@teknicelectromeconics.co.in

Website: www.tekniciindia.com

Factory : 93, Electronic city Phase 1, 5th cross, Hosur Road, Bangaluru-560 100
Tel. 0091-80-28522716,2820389, 28520714. Fax. 0091-80-28520254.
E-mail : tepl_wks@teknico.in & planning@teknicelectromeconics.co.in

Head : 703, Madhava, Bandra Kurla Complex, Bandra(East), Mumbai - 400 051.
Office Tel. 0091-22-42532500. Fax. 0091-22-26592391
Email : teknic@vsnl.com

Website: www.teknico.in

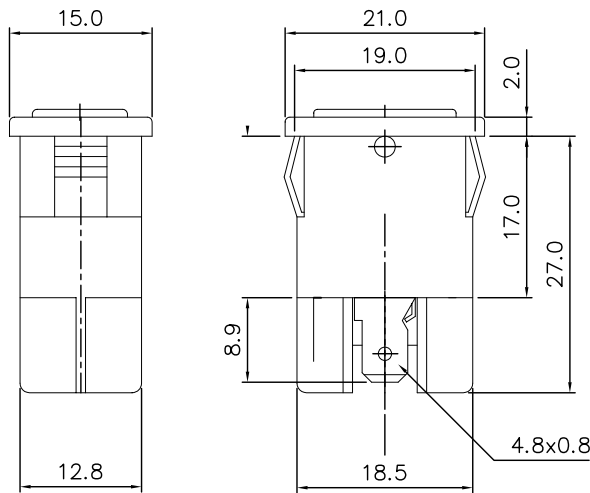
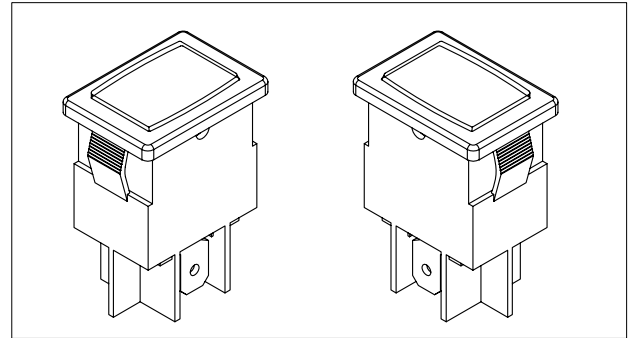
TEKNIC



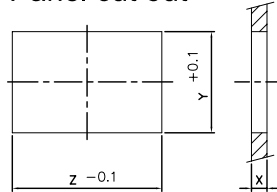
INDICATOR LAMP - WL01

Indicating Lamp type WL01 is suitable for snap fit mounting on the panel.

Widely used in home appliances, instruments testing apparatus etc.



Panel cut out



t - panel thickness.

| X | Y | Z |
|-----------|------|------|
| 0.75-1.25 | 12.9 | 19.2 |
| 1.25-2 | 12.9 | 19.4 |
| 2-3 | 12.9 | 19.8 |

TECHNICAL SPECIFICATION :

| | |
|------------------------------------|--|
| Rating | : 250V AC, 110V AC, 12V DC & 24V DC |
| Ambient Temperature | : 85°C |
| Electrical Life of neon bulb / LED | : 10,000 Hrs. |
| NEON BULB | : for 250V AC, 110V AC |
| LED | : for 24V DC, 12V DC |
| Fixing | : Snap mounting |
| Materials of construction | : Housing - Nylon Lens - Polycarbonate Terminals - Copper/copper alloy |

Ordering code :

| | | | | |
|-------------------|---|----|----|--------------------------------|
| WL01 | A | BK | RD | 250V AC |
| Basic Switch | | | | 110V AC 12V DC 24V DC |
| Terminal type | | | | Lens colour Red colour (RD) |
| 4.8x0.8mm (A) | | | | |
| Housing colour | | | | |
| Black colour (BK) | | | | |

HOUSING COLOURS

| HOUSING COLOUR | CODE |
|----------------|------|
| BLACK | BK |
| WHITE | WH |
| GREY | GY |

LENS COLOURS

| COLOUR | CODE |
|--------|------|
| GREEN | GR |
| RED | RD |
| AMBER | AM |
| BLUE | BL |

For further details, please write to:

TEKNIC ELECTROMECONICS PVT. LTD.

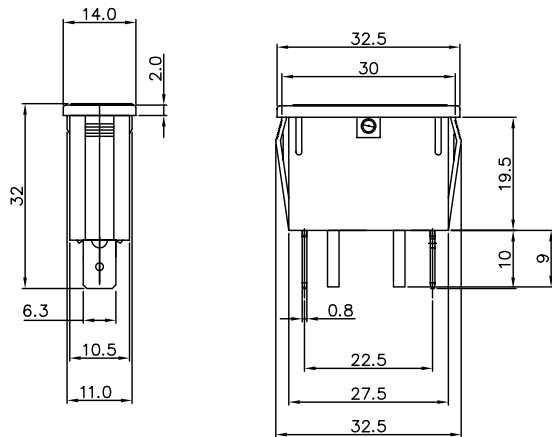
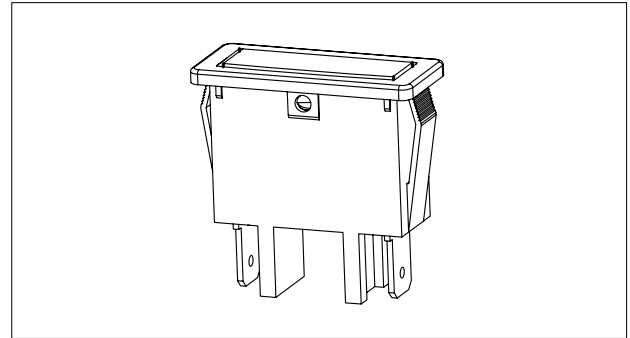
Regd. : 36, SNS Chambers, 239, Sankey Road, Bangaluru-560 080
 Office Tel. 0091-80-23617867, 23619348. Fax. 0091-80-23618607,
 E-mail : venkatesh@teknicelectromeconics.co.in
 Website: www.tekniceindia.com
 Factory : 93, Electronic city Phase 1, 5th cross, Hosur Road, Bangaluru-560 100
 Tel. 0091-80-28522716, 2820389, 28520714. Fax. 0091-80-28520254.
 E-mail : tepl_wks@teknice.co.in & planning@teknicelectromeconics.co.in
 Head : 703, Madhava, Bandra Kurla Complex, Bandra(East), Mumbai - 400 051.
 Office Tel. 0091-22-42532500. Fax. 0091-22-26592391
 Email : teknice@vsnl.com
 Website: www.teknice.co.in

TEKNIC

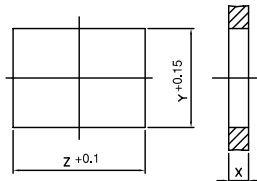


INDICATOR LAMP - WL03

Indicating Lamp type WL03 is suitable for snap fit mounting on the panel. widely used in home appliances, instruments testing apparatus etc.



Panel cut out



| X | Y | Z |
|-----------|----|------|
| 0.75-1.25 | 11 | 30 |
| 1.25-2 | 11 | 30.2 |
| 2-3 | 11 | 30.2 |

TECHNICAL SPECIFICATION :

| | |
|---------------------------|--|
| Rating | : 250V AC, 110V AC, 12V DC & 24V DC |
| Ambient Temperature | : 85°C |
| Electrical Life | : 10,000 Hrs. |
| NEON BULB | : for 250V AC , 110V AC |
| LED | : for 24V DC , 12V DC |
| Fixing | : Snap mounting |
| Materials of construction | : Housing - Nylon Lens - Polycarbonate Terminals - Copper/copper alloy |
| Terminal size | : 6.3x0.8mm flat quick connect terminal |

Ordering code :

| | | | | |
|-------------------|---|----|----|-----------------------------|
| WL03 | A | BK | RD | 250V AC |
| Basic Switch | | | | 110V AC 12V DC 24V DC |
| Terminal type | | | | Lens colour |
| 6.3x0.8mm (A) | | | | Red colour (RD) |
| Housing colour | | | | |
| Black colour (BK) | | | | |

HOUSING COLOURS

| HOUSING COLOUR | CODE |
|----------------|------|
| BLACK | BK |
| WHITE | WH |
| GREY | GY |

LENS COLOURS

| COLOUR | CODE |
|--------|------|
| GREEN | GR |
| RED | RD |
| AMBER | AM |
| BLUE | BL |

For further details, please write to:

TEKNIC ELECTROMECONICS PVT. LTD.

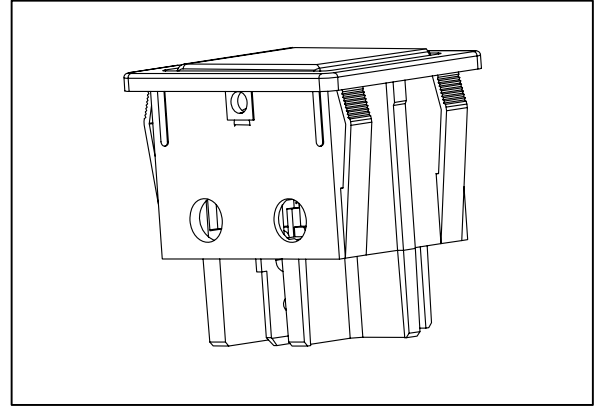
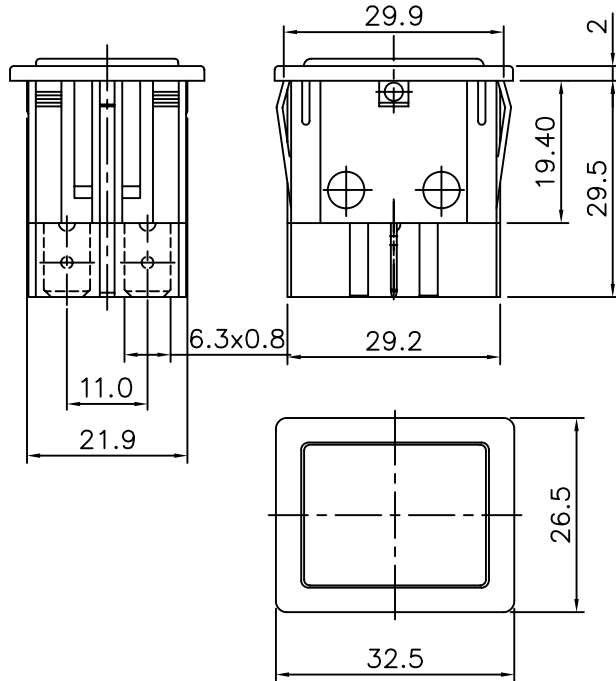
Regd. : 36, SNS Chambers, 239, Sankey Road, Bangaluru-560 080
 Office Tel. 0091-80-23617867, 23619348. Fax. 0091-80-23618607,
 E-mail : venkatesh@teknicelectromeconics.co.in
 Website: www.teknicelectromeconics.co.in
 Factory : 93, Electronic city Phase 1, 5th cross, Hosur Road, Bangaluru-560 100
 Tel. 0091-80-28522716, 2820389, 28520714. Fax. 0091-80-28520254.
 E-mail : tepl_wks@teknicelectromeconics.co.in & planning@teknicelectromeconics.co.in
 Head : 703, Madhava, Bandra Kurla Complex, Bandra(East), Mumbai - 400 051.
 Office Tel. 0091-22-42532500. Fax. 0091-22-26592391
 Email : teknicelectromeconics@vsnl.com
 Website: www.teknicelectromeconics.co.in

TEKNIC

INDICATOR LAMP WL 04



Indicator Lamp type WL 04 is suitable for snap fitting. It is widely used in Home appliances, instruments, testing apparatus etc.

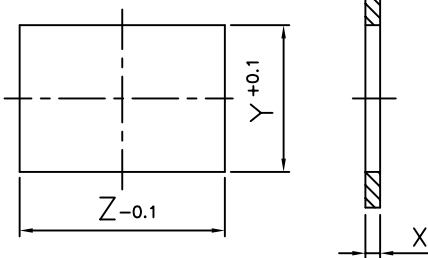


TECHNICAL DATA :

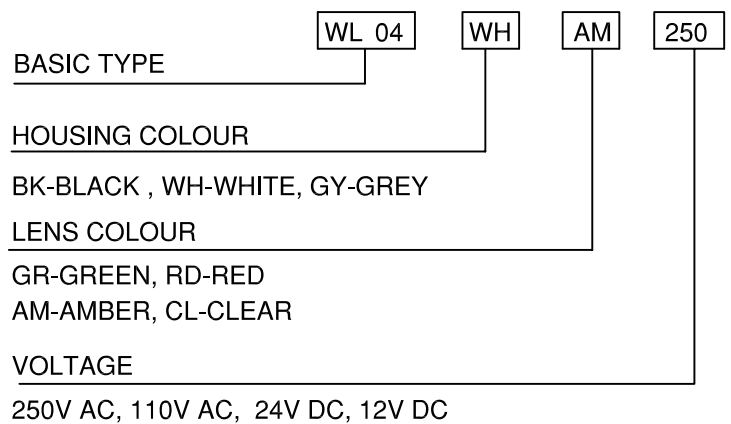
| | |
|---------------------------|-------------------------------------|
| RATING | : 250V AC, 110V AC, 12V DC & 24V DC |
| OPERATING TEMPERATURE | : 85°C |
| ELECTRICAL LIFE | : 10,000 Hrs. |
| NEON BULB | : for 250V AC, 110V AC |
| LED | : for 24V DC, 12V DC |
| FIXING | : SNAP FITTING |
| MATERIALS OF CONSTRUCTION | |
| HOUSING | : NYLON 66 |
| LENS | : POLY CARBONATE |
| TERMINALS | : COPPER ALLOY |

PANEL CUTOUT

| X | Y | Z |
|------------|----|------|
| 0.75..1.25 | 22 | 30 |
| 1.25....2 | 22 | 30.2 |



ORDERING EXAMPLE



All Dimensions are in mm

For further details, please write to:

TEKNIC ELECTROMECONICS PVT. LTD.

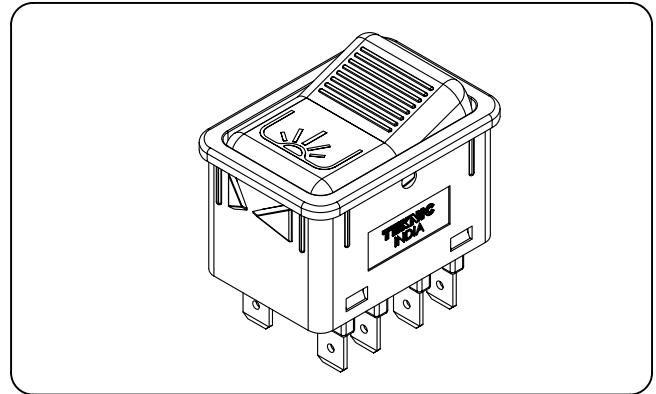
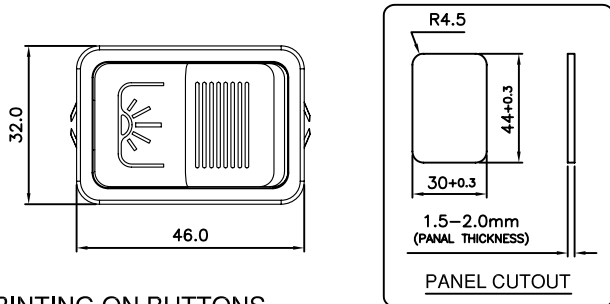
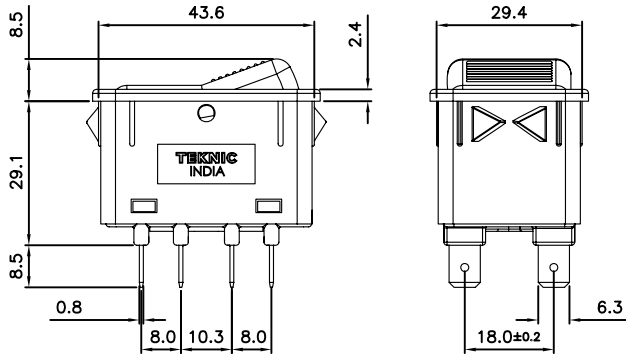
Regd. : 36, SNS Chambers, 239, Sankey Road, Bangaluru-560 080
 Office Tel. 0091-80-23617867, 23619348. Fax. 0091-80-23618607,
 E-mail : venkatesh@teknicelectromeconics.co.in
 Website: www.tekniciindia.com
 Factory : 93, Electronic city Phase 1, 5th cross, Hosur Road, Bangaluru-560 100
 Tel. 0091-80-28522716, 2820389, 28520714. Fax. 0091-80-28520254.
 E-mail : tepl_wks@teknico.in & planning@teknicelectromeconics.co.in
 Head : 703, Madhava, Bandra Kurla Complex, Bandra(East), Mumbai - 400 051.
 Office Tel. 0091-22-42532500. Fax. 0091-22-26592391
 Email : teknic@vsnl.com
 Website: www.teknico.in

TEKNIC

ROCKER SWITCH WS-40



WS-40 is non-illuminated switch, aesthetically elegant and suitable for snap mounting. The switch finds application as a control switch mounted on the dash board of Public Vehicles.



TECHNICAL DATA :

| | |
|---|---------------------------------|
| RATING | : 6A, 24V DC |
| INITIAL INSULATION RESISTANCE @500V DC | : > 100 MEG.OHMS |
| DI-ELECTRIC STRENGTH | : 1500V AC FOR 1 MINUTE. |
| OPERATING FORCE | : 2500 gf Max. |
| CONTACT GAP | : MICRO DISCONNECTION (μ) |
| HOUSING/CONTACT HOLDER/ PLUNGER/ROCKER BUTTON | : THERMOPLASTIC |
| CONTACT MATERIAL | : SILVER / SILVER ALLOY |
| TERMINAL MATERIAL | : COPPER / COPPER ALLOY |
| FIXING | : SNAP IN MOUNTING |
| OPERATING TEMPERATURE | : T85 |
| TERMINAL | : 6.3 x 0.8 QUICK CONNECT |
| DEGREE OF PROTECTION | : IP 30 Ref: EN:61058-1 |

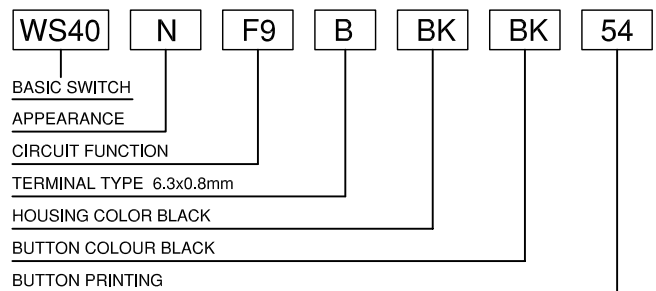
PRINTING ON BUTTONS

| | | | | |
|-----------------------------------|---------------------------------|----------------------------------|--|---------------------------------|
| 51 STOP REQUEST RESET SWITCH (F9) | 52 MAINTENANCE LAMP SWITCH (F1) | 53 DRIVER LAMP SWITCH (F1) | 54 PASSENGER / INTERNAL LAMP SWITCH (F9) | 55 FAN SWITCH (F1) |
| 56 DEFROSTER SWITCH (F1) | 57 FOG LAMP SWITCH (F1) | 58 DESTINATION BOARD SWITCH (F1) | 59 EMERGENCY RESET SWITCH (F5) | 60 WINDSHIELD WIPER SWITCH (F9) |
| 61 VIDEO MONITOR SWITCH (F1) | 62 NIGHT LAMP SWITCH (F1) | 63 ARM CHAIR SWITCH (F1) | 64 READING LAMP SWITCH (F1) | 65 INVERTER SWITCH (F1) |
| 66 EXHAUST FAN SWITCH (F1) | 67 STOP ARM SWITCH (F1) | 71 EMERGENCY EXIT SWITCH (F1) | 72 WI-FI SWITCH (F1) | |

OPERATING FUNCTIONS

| CIRCUIT | FUNCTION | CODE | FUNCTIONS |
|---------|----------|------|--|
| ON | OFF | F1 | SINGLE THROW (SPST) |
| (ON) | ON | F5 | DOUBLE THROW-SPRING RETURN IN ONE POSITION |
| ON | ON | F9 | THREE POSITION SEQUENTIAL 'ON' (DPDT) |

ORDERING EXAMPLE :



For further details, please write to:

TEKNIC ELECTROMECONICS PVT. LTD.

Regd. : 36, SNS Chambers, 239, Sankey Road, Bangaluru-560 080
 Office Tel. 0091-80-23617867, 23619348. Fax. 0091-80-23618607,
 E-mail : venkatesh@teknic-electromeconics.co.in
 Website: www.teknicinidia.com
 Factory : 93, Electronic city Phase 1, 5th cross, Hosur Road, Bangaluru-560 100
 Tel. 0091-80-28522716,2820389, 28520714. Fax. 0091-80-28520254.
 E-mail : tepl_wks@teknic.co.in & planning@teknic-electromeconics.co.in
 Head : 703, Madhava, Bandra Kurla Complex, Bandra(East), Mumbai - 400 051.
 Office Tel. 0091-22-42532500. Fax. 0091-22-26592391
 Email : teknic@vsnl.com
 Website: www.teknic.co.in

FM:MT:93 REV.:F

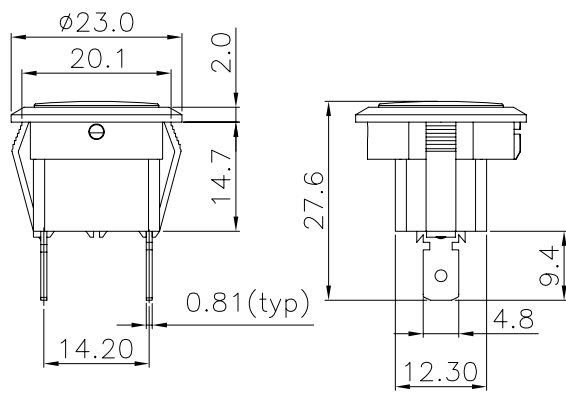
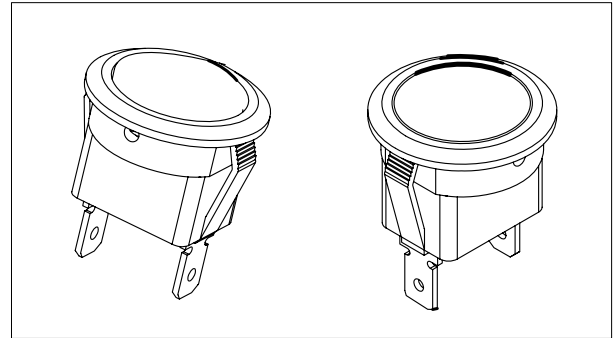
TEKNIC



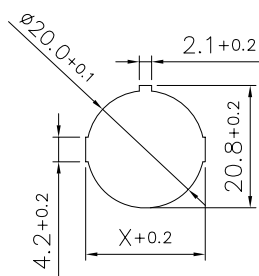
INDICATOR LAMP - WL00R

Indicating Lamp type WL00R is suitable for snap fit mounting on the panel.

Widely used in home appliances, instruments testing apparatus etc.



Panel cutout



t - panel thickness.

| t | X |
|-----------|-----------|
| 0.75-1.25 | 20.4 +0.2 |
| 1.25-2 | 20.9 +0.2 |
| 2-3 | 21.2 +0.2 |

TECHNICAL SPECIFICATION :

| | |
|------------------------------------|---|
| RATING | : 250V AC, 110V AC, 12V DC & 24V DC |
| Ambient Temperature | : 85°C |
| Electrical Life of neon bulb / LED | : 10,000 Hrs. |
| NEON BULB | : for 250V AC , 110V AC |
| LED | : for 24V DC , 12V DC |
| Fixing | : Snap mounting |
| Material construction | : Housing - Nylon 66 Lens - Polycarbonate Terminals - Brass |

Ordering code :

| | | | | | |
|----------------|-------|---|----|----|-----------------------------|
| Basic Switch | WL00R | A | GY | RD | 250V |
| Terminal type | | | | | 110V AC 12V DC 24V DC |
| Housing colour | | | | | Button colour |
| BLACK -- BK | | | | | GREEN -- GR |
| WHITE -- WH | | | | | RED -- RD |
| GREY -- GY | | | | | AMBER -- AM |
| | | | | | BLUE -- BL |

For further details, please write to:

TEKNIC ELECTROMECONICS PVT. LTD.

Regd. : 36, SNS Chambers, 239, Sankey Road, Bangaluru-560 080

Office Tel. 0091-80-23617867, 23619348. Fax. 0091-80-23618607,

E-mail : venkatesh@teknicelectromeconics.co.in

Website: www.tekniciindia.com

Factory : 93, Electronic city Phase 1, 5th cross, Hosur Road, Bangaluru-560 100

Tel. 0091-80-28522716, 2820389, 28520714. Fax. 0091-80-28520254.

E-mail : tepl_wks@teknico.in & planning@teknicelectromeconics.co.in

Head : 703, Madhava, Bandra Kurla Complex, Bandra(East), Mumbai - 400 051.

Office Tel. 0091-22-42532500. Fax. 0091-22-26592391

Email : teknic@vsnl.com

Website: www.teknico.in